



Cambridge International AS & A Level

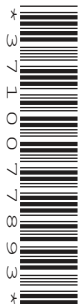
CANDIDATE
NAME

CENTRE
NUMBER

--	--	--	--	--

CANDIDATE
NUMBER

--	--	--	--



PHYSICS

9702/34

Paper 3 Advanced Practical Skills 2

May/June 2023

2 hours

You must answer on the question paper.

You will need: The materials and apparatus listed in the confidential instructions

INSTRUCTIONS

- Answer **all** questions.
- Use a black or dark blue pen. You may use an HB pencil for any diagrams or graphs.
- Write your name, centre number and candidate number in the boxes at the top of the page.
- Write your answer to each question in the space provided.
- Do **not** use an erasable pen or correction fluid.
- Do **not** write on any bar codes.
- You will be allowed to work with the apparatus for a maximum of 1 hour for each question.
- You should record all your observations in the spaces provided in the question paper as soon as these observations are made.
- You may use a calculator.
- You should show all your working and use appropriate units.

INFORMATION

- The total mark for this paper is 40.
- The number of marks for each question or part question is shown in brackets [].

For Examiner's Use	
1	
2	
Total	

This document has **12** pages. Any blank pages are indicated.

You may not need to use all of the materials provided.

- 1 In this experiment, you will investigate the oscillations of a pendulum.
- (a) • Assemble the apparatus as shown in Fig. 1.1 with the nail held securely in the cork. Check that the wooden rod can swing freely.

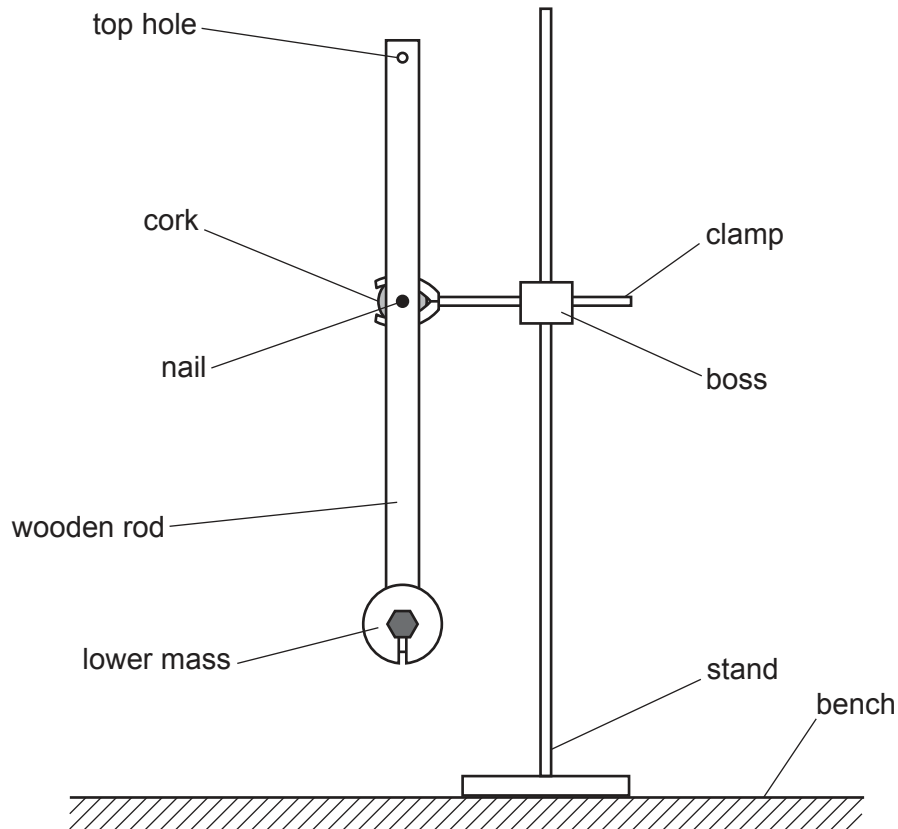


Fig. 1.1

- You have been provided with one 50 g and four 10 g slotted masses. Use the bolt and nut to attach some of the 10 g slotted masses to the top hole.
- Record the total mass M of the slotted masses that are attached to the top hole.

$M = \dots\dots\dots$

- Push the bottom of the wooden rod a small distance to one side.
- Release the wooden rod so that it oscillates.
- Take measurements to determine the period T of the oscillations.

$T = \dots\dots\dots$

[3]

- (b) Change M and determine T . Repeat until you have six sets of values of M and T . Do **not** change the lower mass.

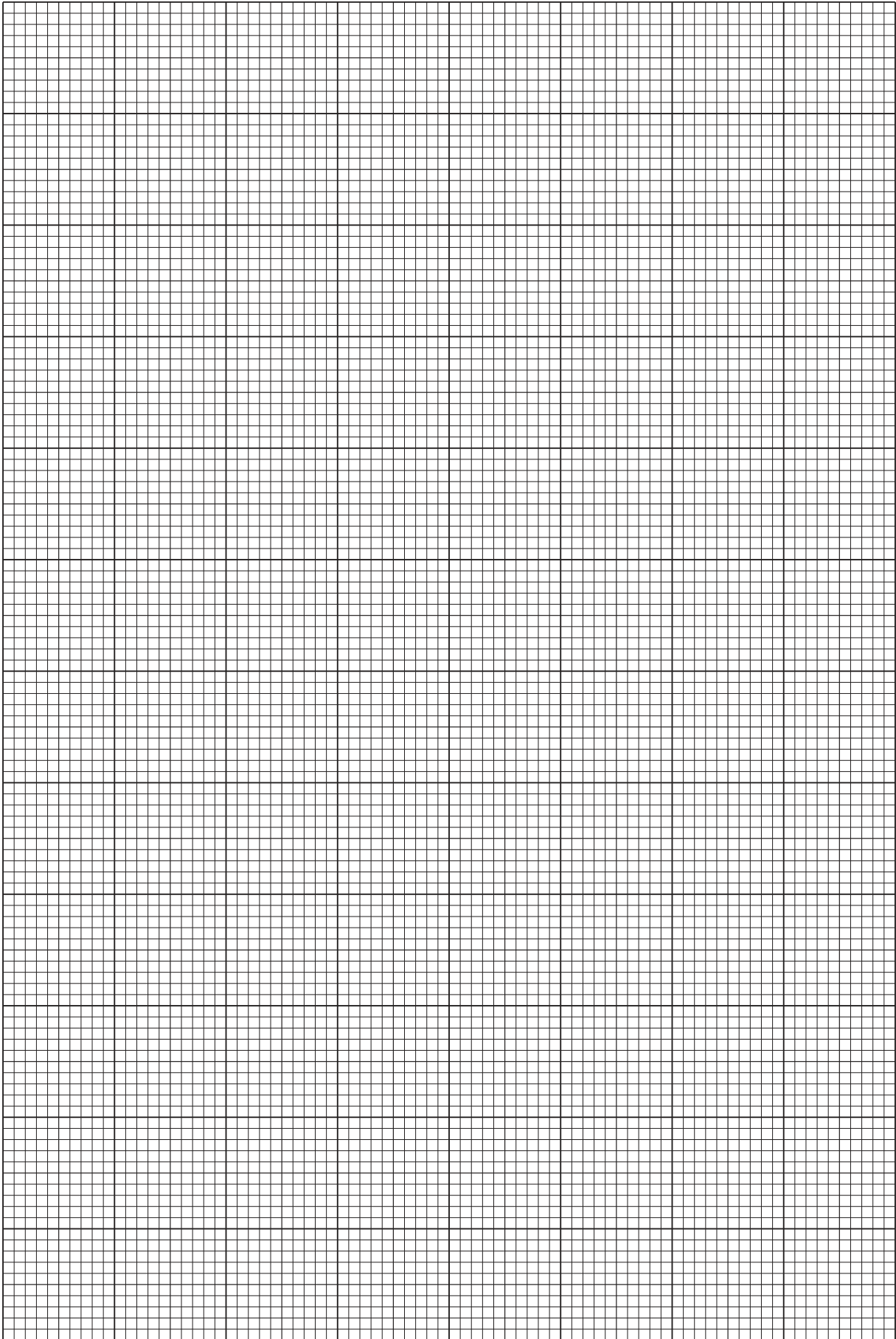
Record your results in a table. Include values of M^2 and T^2 in your table.

- (c) (i) Plot a graph of T^2 on the y -axis against M^2 on the x -axis. [9]
- (ii) Draw the straight line of best fit. [3]
- (iii) Determine the gradient and y -intercept of this line. [1]

gradient =

y -intercept =

[2]



(d) It is suggested that the quantities T and M are related by the equation

$$T^2 = aM^2 + b$$

where a and b are constants.

Using your answers in (c)(iii), determine the values of a and b .
Give appropriate units.

$a =$

$b =$

[2]

[Total: 20]

You may not need to use all of the materials provided.

2 In this experiment, you will investigate the thermal expansion of plastic.

(a) You have been provided with two plastic pipes. Each pipe has a string loop attached at each end, as shown in Fig. 2.1.

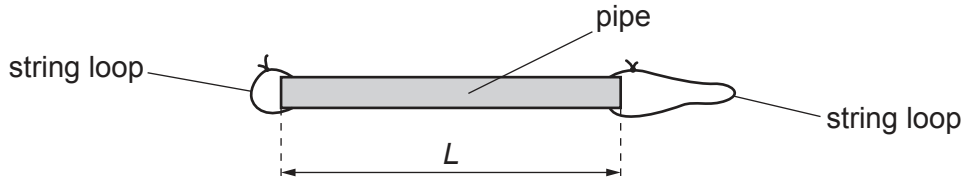


Fig. 2.1

- Measure and record the length L of the **longer** pipe, as shown in Fig. 2.1.

$$L = \dots\dots\dots$$

- Place the thermometer on the bench. Record the room temperature T_0 .

$$T_0 = \dots\dots\dots$$

[2]

(b) (i) You have been provided with a wooden rod supported by a pin.

- Using the longer pipe, assemble the apparatus as shown in Fig. 2.2.

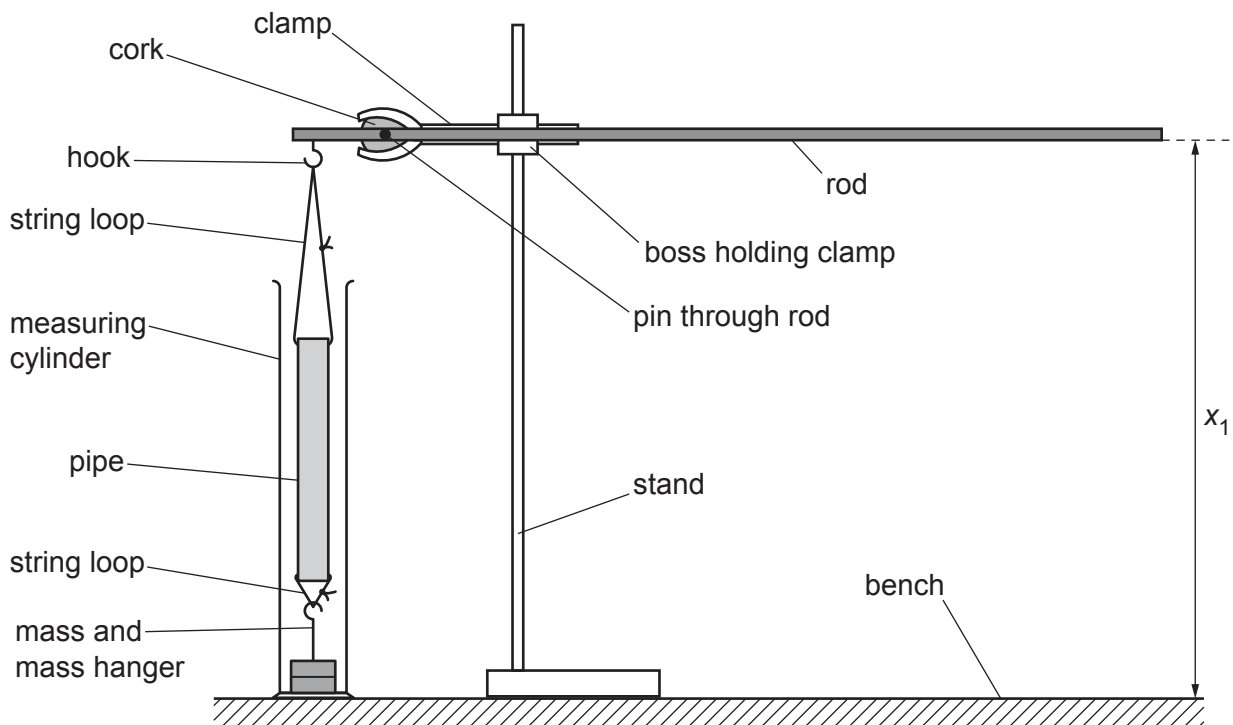


Fig. 2.2

- Adjust the apparatus so that the rod is parallel to the bench and the mass hanger rests on the bottom of the measuring cylinder.
- Measure and record the height x_1 of the end of the rod above the bench, as shown in Fig. 2.2.

$$x_1 = \dots\dots\dots [1]$$

- (ii)
- Slowly pour boiling water into the measuring cylinder until it covers the pipe.
 - Place the thermometer in the water. Record the temperature T .

$$T = \dots\dots\dots$$

- Remove the thermometer from the water.
- The expansion of the pipe causes the end of the rod to move down. Measure the new height x_2 of the end of the rod above the bench.

$$x_2 = \dots\dots\dots$$

- Carefully remove the pipe and mass hanger (the masses will be very hot) and pour the hot water into the sink.

[2]

- (iii) Calculate $(x_1 - x_2)$.

$$(x_1 - x_2) = \dots\dots\dots [1]$$

- (iv) Estimate the percentage uncertainty in your value of $(x_1 - x_2)$. Show your working.

$$\text{percentage uncertainty} = \dots\dots\dots \% [1]$$

- (c) • Measure and record the length L of the **shorter** pipe.

$$L = \dots\dots\dots$$

- Repeat (b)(i), (b)(ii) and (b)(iii) using the shorter pipe.

$$x_1 = \dots\dots\dots$$

$$T = \dots\dots\dots$$

$$x_2 = \dots\dots\dots$$

$$(x_1 - x_2) = \dots\dots\dots$$

[2]

(d) It is suggested that the relationship between x_1 , x_2 , L , T and T_0 is

$$k(x_1 - x_2) = L(T - T_0)$$

where k is a constant.

(i) Using your data, calculate two values of k .

first value of k =

second value of k =

[1]

(ii) Justify the number of significant figures that you have given for your values of k .

.....
.....
..... [1]

(e) It is suggested that the percentage uncertainty in the values of k is 20%.

Using this uncertainty, explain whether your results support the relationship in (d).

.....
.....
.....
..... [1]

(f) (i) Describe **four** sources of uncertainty or limitations of the procedure for this experiment.

For any uncertainties in measurement that you describe, you should state the quantity being measured and a reason for the uncertainty.

1

.....

2

.....

3

.....

4

.....

[4]

(ii) Describe **four** improvements that could be made to this experiment. You may suggest the use of other apparatus or different procedures.

1

.....

2

.....

3

.....

4

.....

[4]

[Total: 20]

Permission to reproduce items where third-party owned material protected by copyright is included has been sought and cleared where possible. Every reasonable effort has been made by the publisher (UCLES) to trace copyright holders, but if any items requiring clearance have unwittingly been included, the publisher will be pleased to make amends at the earliest possible opportunity.

To avoid the issue of disclosure of answer-related information to candidates, all copyright acknowledgements are reproduced online in the Cambridge Assessment International Education Copyright Acknowledgements Booklet. This is produced for each series of examinations and is freely available to download at www.cambridgeinternational.org after the live examination series.

Cambridge Assessment International Education is part of Cambridge Assessment. Cambridge Assessment is the brand name of the University of Cambridge Local Examinations Syndicate (UCLES), which is a department of the University of Cambridge.